



AKSA Power Generation has been producing industrial generator sets with an innovative compact design and excellence in quality for over 30 years. AKSA has been providing reliable power through three main production plants and over 15 branch offices worldwide.

General Characteristics

Model Name	ANG75-5
Engine Make	PSI
Engine Model	5.7LT
Alternator Make	Stamford
Control Panel Make & Model	DSE 7320
Frequency & Speed	50Hz, 1500rpm
Enclosure Make & Model	AKSA AUL 41/42



Genset Rating

Fuel Type	Engine	Alternator	Voltage	Standby Power	Standby Current	Prime Power	Prime Current
Natural Gas	5.7LT	UCI224G	400/230V	75kVA	108A	N.A.	N.A.
LP Gas	N.A.	N.A.	N.A.	N.A.	N.A.	N.A.	N.A.

Stand-by Power (Maximum): Power available at variable load in the event of main power network failure. No over load is permitted.
 Prime Power: Power available at variable load in lieu of a main power network. Overload of 10% is permitted for 1 hour in every 12 hours of operation.
 The above ratings represent the engine performance capabilities to conditions specified in accordance with ISO 8528/5 & ISO3046.
Derating may be required for conditions outside of the test conditions.

Codes & Standards

The Generator set is designed and manufactured in a facility certified to **ISO9001** standards.

The Generator set is designed and manufactured in a facility certified to **ISO14001:2015** standards.

AKSA Power Generation provides **single source responsibility** for the generator set & accessories.

The generator set, with its components, are **prototype tested** and **production tested**.

The generator set meets **NFPA70, 99, 110, 37** Level 1 when equipped with the necessary accessories and installed per NFPA standards.



*Manufacturer reserves the right to make changes in model, technical specifications, color, equipment and accessories without prior notice.



Engine Data

Manufacturer	PSI
Model	5.7LT
Displacement & Cylinders	5.7L / 6 Cylinders
Engine Type	V-type, 4 Cycle
Engine Speed	1500rpm
Engine Standby Power (NG/LP)	75 kW / -
Engine Prime Power (NG/LP)	N.A.
Aspiration	Forced Induction
Compression Ratio	9.4 : 1
Bore / Stroke	101.6 mm / 88 mm
Governor type	Electronic

Fuel System

Fuel Type	NG, LP Gas/Dual Fuel
Min NG Supply pipe size	1-1/4" NPTF
Min LPG Supply pipe size	3/4"
Maximum EPR Rated Pressure	6.9 kPa / 1.0 psi
Max Pressure to EPR	2.7 kPa / 11.0 inH2O
Min Pressure to EPR	1.7 kPa / 7.0 inH2O

Fuel Consumption

	Natural Gas	LP Gas
Standby Power (100%)	1000 cfh 28.3 m ³ /hr	-
Standby Power (75%)	780 cfh 22.1m ³ /hr	-
Standby Power (50%)	600 cfh 16.7 m ³ /hr	-

Electric System

System Voltage (dc)	12V
Battery Qty, Rating	1 x 60Ah

Cooling System

Radiator Cooling System Type	Closed Circuit
Coolant Capacity, engine only	8.1 quart / 7.8L
Cranking Temperature	160 °F / 71 °C
Full Open Temperature	185 °F / 85 °C

Exhaust System

Type	Air cooled manifold
Max. allowable back pressure	10.2 kPa
Catalyst configuration for US Certified Products	Dual Substrate
Exhaust Gas Flow at Rated Power @ 1350 °F	662.6 cfm / 18.76 m ³ /min

Air Intake System

Combustion Air Required	205.2 cfm / 5.81 m ³ /min
Max Intake Air Restriction (Clean Element)	1.49 kPa / 3 inH2O
Air Filter Type	Dry Paper Element

Lubrication System

Oil Specifications	SAE 5W-30 API Rating SM or Newer
Oil Pan Capacity	5 Qts / 4.7 L
Oil filter; qt, type	1, Cartridge
Max allowable oil temp	250 °F / 121 °C



Alternator Data

Manufacturer	Stamford
Standards	BS EN 60034
Control System	PMG
A.V.R.	MX341
Voltage Regulation	± 1 %
Insulation System	Class H
Protection	IP23
Rated Power Factor	0.8
Stator Winding	Double Layer Concentric
Winding Pitch	Two Thirds
Winding Leads	12
Telephone Interference	THF < 2 %
Waveform Distortion	No Load < 1.5 %
Maximum Over speed	2250 rev/min

Battery Charger & Electrical System Data

Manufacturer	ComAp
Model	InteliCharger
Input Voltage	85V ~ 264V AC
Output Voltage / Current	13.8V Float / 4A pk

Jacket Water Heater Data

Manufacturer	Hotstart
Model	TPS101GT10-000
Input Voltage	120V
Power	1000W

Controller Data

Manufacturer	DSE
Model	7320 MK II

Controller Features & Benefits

- Microprocessor controlled, UL & NFPA110 Compatible
- License free PC Software (Non-proprietary Software)
- IP65 rating offers increased resistance to water ingress
- Modules can be integrated to building management systems
- Real time clock provides accurate event log
- Four line back-lit LCD text display
- Five key menu navigation, two wire start/stop at Auto mode
- Front panel editing with PIN protection
- Support up to three remote display modules
- Configurable timers and alarms
- Multiple date and timer scheduler
- Integral PLC editor
- 'Protections disabled' feature
- Load switching (load shedding and dummy load outputs)
- Fully configurable via DSE Configuration Suite PC Software
- SCADA monitoring via DSE Configuration Suite PC Software

Protection

- ✓ Gen. Voltage – under / over
- ✓ Gen. Freq. – under / over
- ✓ Engine Speed – under / over
- ✓ Engine Oil Pressure – low
- ✓ Engine Temp – low / high
- ✓ Battery Voltage – low / high
- ✓ Weak Battery
- ✓ Fail to Start / Stop
- ✓ Charge Alternator Fail
- ✓ Over Current & Load (kW/kVAr)
- ✓ Unbalanced Load
- ✓ Independent Earth Fault
- ✓ Reverse Power
- ✓ Loss of Speed Signal

Instruments

- ✓ Gen. Voltage (L-L/L-N)
- ✓ Gen. Frequency
- ✓ Engine speed
- ✓ Oil Pressure
- ✓ Water Temperature
- ✓ Battery Voltage
- ✓ Run Time
- ✓ Phase Sequence
- ✓ Power monitoring (kWh/kVAh/kVArh)
- ✓ Power (kWh/kVAh/kVArh)
- ✓ Power Factor
- ✓ Generator Current
- ✓ Generator Load (%)
- ✓ Earth Current



Enclosure Features

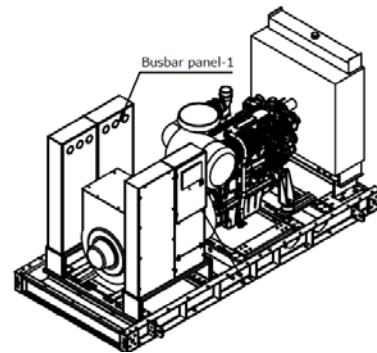
- ✓ Heavy Duty Steel Structure
- ✓ E-Stop on Enclosure
- ✓ Control Panel Eliminated from Engine Vibrations
- ✓ Standard Sound Attenuation Foam
- ✓ Plastic Covered Corrosion Resistant Locks & Hinges

Enclosure Features

- ✓ Internally Mounted Exhaust System with Rain Cap
- ✓ Coolant Fill Cap
- ✓ Enclosure DC Light
- ✓ Oil & Coolant Drain Ports
- ✓ Easy Access for Maintenance

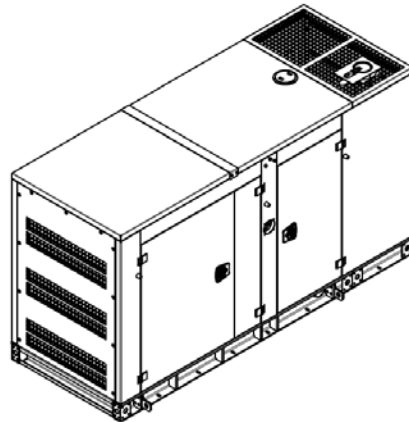
Open Skid Gen-Set Dimensions

Length	92 in
Width w/o lift hooks	43.3 in
Height	53.5 in
Dry Weight	2300 lb



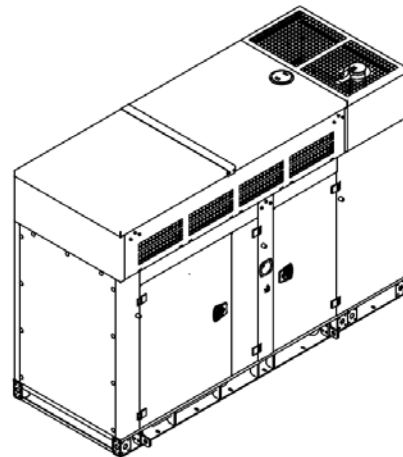
Enclosed Gen-Set Dimensions – Level 1

Length	116 in
Width w/o lift hooks	43.3 in
Height	66 in
Dry Weight	3500 lb
Sound Pressure @ 7 meters	75 dBA



Enclosed Gen-Set Dimensions – Level 2

Length	116 in
Width w/o lift hooks	43.3 in
Height	82 in
Dry Weight	3800 lb
Sound Pressure @ 7 meters	71 dBA



*Manufacturer reserves the right to make changes in model, technical specifications, color, equipment and accessories without prior notice.



Standard Features & Accessories

- ✓ Heavy Duty Steel Base Frame
- ✓ Engine Jacket Water Heater
- ✓ Battery and Battery Rack
- ✓ Battery Charger
- ✓ Battery Restraint
- ✓ Anti Vibration Pads between Engine/Alternator & Base Frame
- ✓ PMG Excitation
- ✓ Silencer Set w/Stainless Steel Flex
- ✓ Sound Absorb Foam for Enclosure
- ✓ Air Inlet & Outlet Rodent Guards
- ✓ Oil Drain Valve
- ✓ Coolant Drain Valve
- ✓ Flex Fuel Line Connected to Base Lock-off Valve
- ✓ Enclosure DC Light
- ✓ Jacket Water Heater Isolation Valves
- ✓ Protection Covers for Rotating Parts
- ✓ Exhaust Insulation Cover
- ✓ Low Fuel Supply Alarm
- ✓ Low Water Level Alarm
- ✓ Operations Manual
- ✓ 24 Months / 2000 hours Limited Standby Warranty

Optional Accessories

- Main Line CB (3 / 4 Poles – 80% / 100% rated)
- Upsize Alternator
- Anti-condensation Heater
- Voltage Regulation $\pm 0.5\%$ w/MX321 AVR
- Gas Regulator
- NG / LP Auto Changeover Control System
- LP Vaporizer for Liquid Fuel Supply Systems
- Oil Pan Heater
- Oil Temperature Display on Controller
- Manual Voltage Adjust Rheostat
- Enclosure AC Light
- Remote Annunciator Panel
- Remote Control & Monitoring Panel
- Advanced SMS Messaging
- Control Panel Heater
- Battery Disconnect Switch
- Battery Heater
- Battery Charger 10/20 Amp
- Shunt Trip / Aux Contacts
- Spring Anti-vibration Isolators
- Synchronization System Adders
- Automatic Transfer Panel (ATS)
- 5 Years / 2000 hours Limited Comprehensive Warranty

AKSA POWER GENERATION USA LLC

371 Exchange Street, West Monroe,
Louisiana, 71292

Tel: 318.855.8377 Fax: 318.855.8381

E-mail: sales@aksausa.com

AKSA Power Generation USA is a member of

**KAZANCI HOLDING****DISTRIBUTED BY:**